
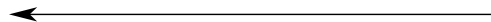

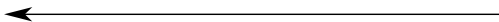
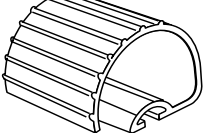



Kit Contents

2 x Carriage bolts  ←  ①

2 x Snap-arounds  ←  ②

2 x Hex keys  ←  ③

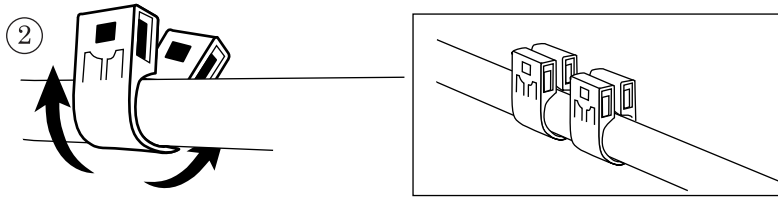
1 x Anti-spin pad  ←  ④

1 x Wheel fork  ←  ⑤

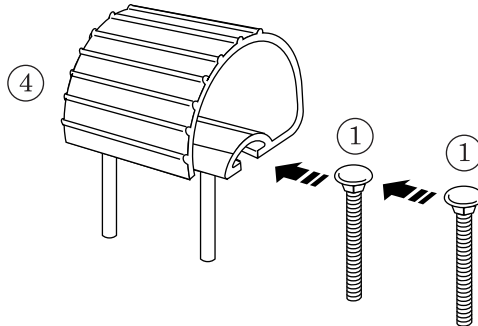
Tools Required

NONE

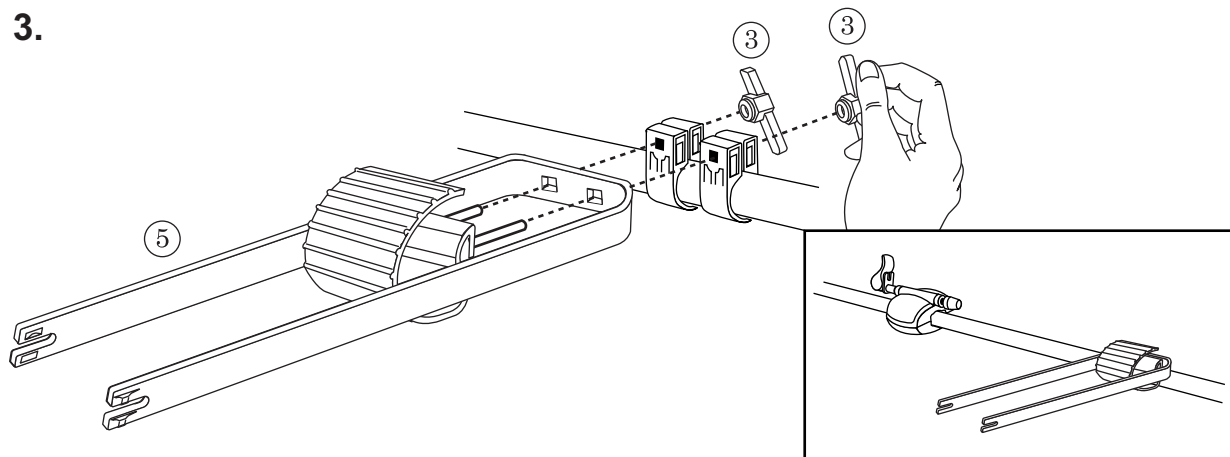
1.



2.

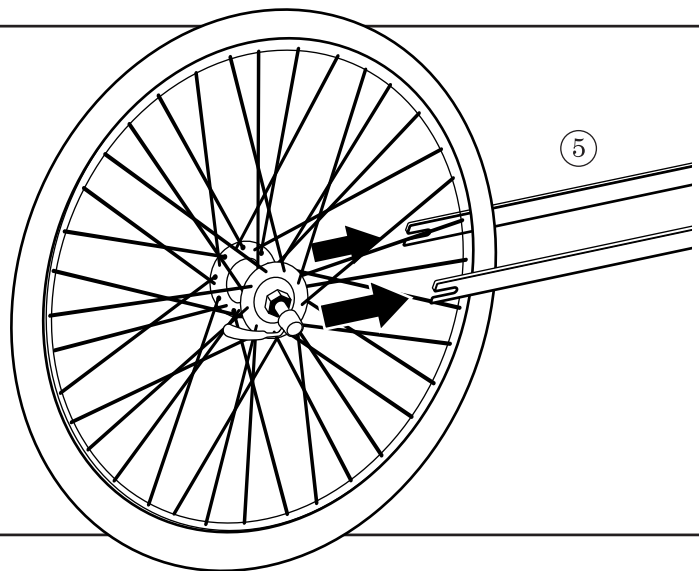


3.



4.

- LOOSEN THE SKEWER NUT ON THE WHEEL.
- POSITION SKEWER INTO WHEEL FORK AND TIGHTEN.
- THE WHEEL'S QUICK RELEASE LEVER MUST CLOSE WITH FIRM RESISTANCE.



5.

BEFORE DRIVING AWAY VERIFY THAT FRONT WHEELS ARE SECURED IN WHEEL FORKS.